

Rewirable IEC Male Connectors

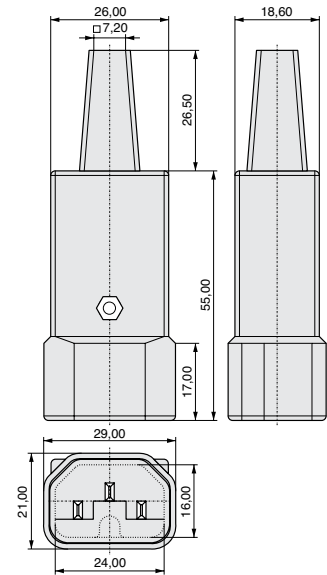
Series **636**



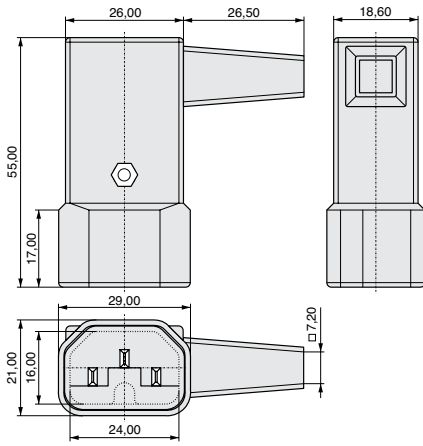
Rated current 10,0 A (15,0 A acc. UL)
 Rated voltage 250 VRMS

Approvals   

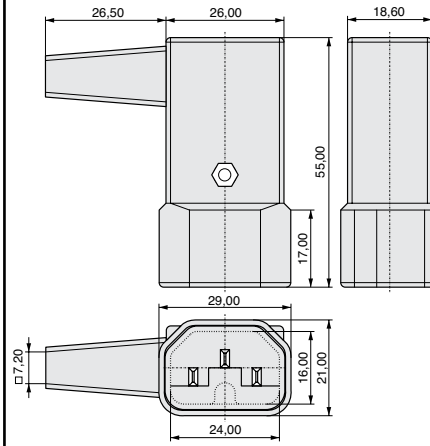
Cable entry centric



Cable entry on the right



Cable entry on the left



N₁ C
 4 2 R 0 4 2 1

N₁ C
 4 2 R 0 4 1 1

N₁ C
 4 2 R 0 4 3 1

Rewirable IEC Female Connectors

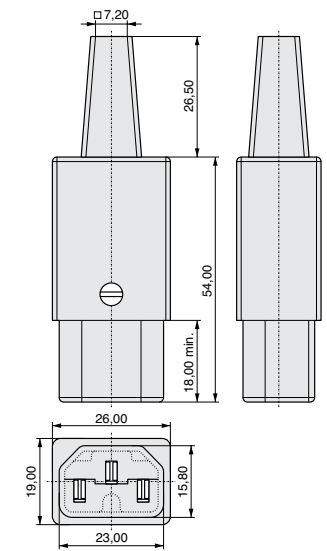
Series **637**



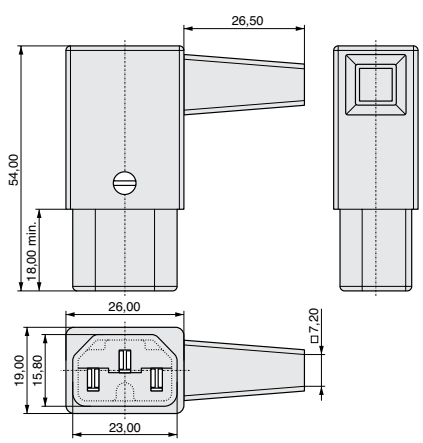
Rated current 10,0 A (15,0 A acc. UL)
 Rated voltage 250 VRMS

Approvals   

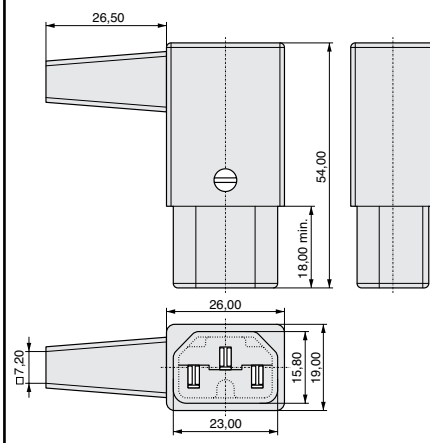
Cable entry centric



Cable entry on the left



Cable entry on the right








N₂ C
 4 3 R 0 1 1 1

N₂ C
 4 3 R 0 1 2 1

N₂ C
 4 3 R 0 1 3 1

C - Colour:
 1 = Black
 2 = Gray
 3 = White

N₁ - Standard:
 1 =  C16
 2 =  C14

N₂ - Standard:
 1 =  C13
 2 =  C15
 3 =  C15A (for cable entry centric only)