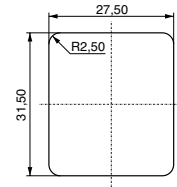
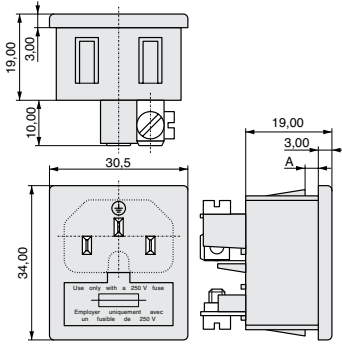




Rated current 10,0 A (15,0 A acc. UL)
 Rated voltage 250 VRMS
 Approvals



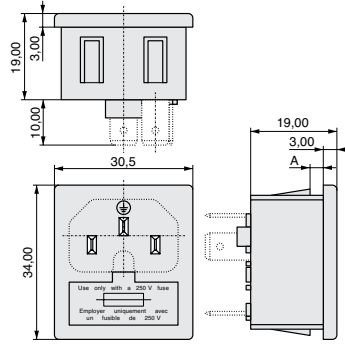
1 fuse / Screw termination



C N A

4 2 R 3 1 3 1 ? ? ? ?

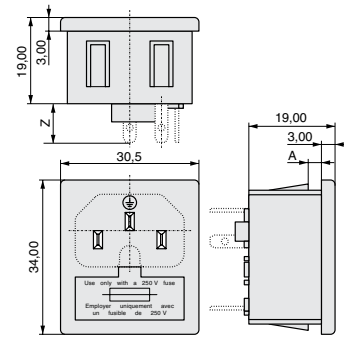
1 fuse / Quick connection termination



C B N A

4 2 R 3 2 3 ? ? ? ? ? ?

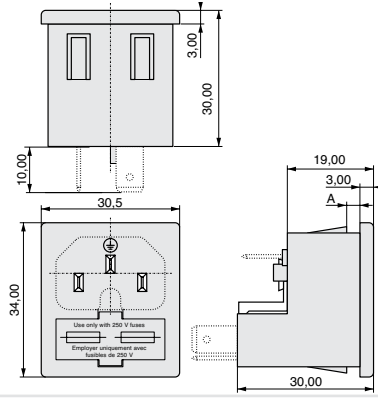
1 fuse / Solder termination



C S1 N A

4 2 R 3 3 3 ? ? ? ? ? ?

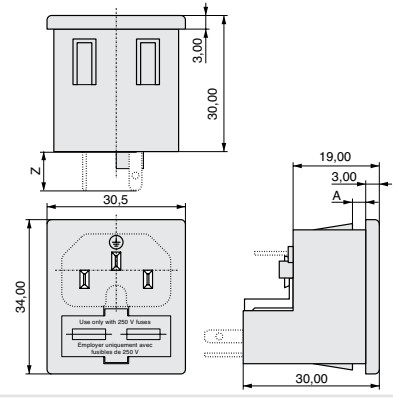
2 fuses / Quick connection termination



B N A

4 2 R 4 4 3 1 2 ? ? ? ? ? ?

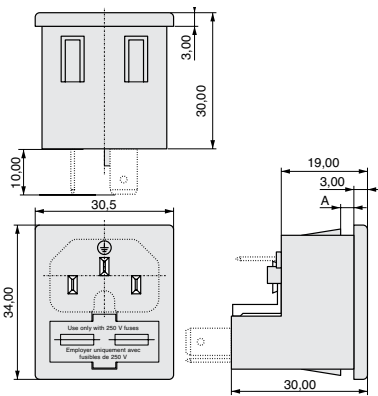
2 fuses / Solder termination



S2 N A

4 2 R 4 4 3 1 2 ? ? ? ? ? ?

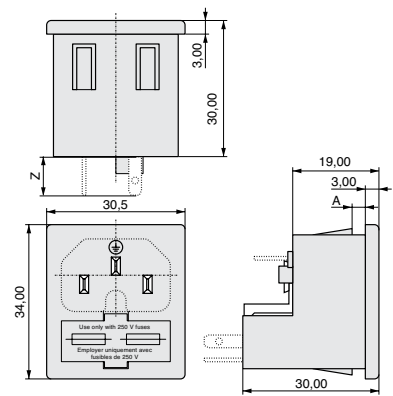
2 fuses & voltage selector / Quick con. term.



B N A

4 2 R 4 5 3 1 1 ? ? ? ? ? ?

2 fuses & voltage selector / Solder term.



S2 N A

4 2 R 4 5 3 1 1 ? ? ? ? ? ?

C - Colour:
 1 = Black
 2 = Gray
 3 = White

N - Standard:
 1 = C14
 2 = C16

B - Quick connect:
 1 = 4,8
 2 = 6,3

S1 - Solder lug:
 1 = 2,8 / Z=9,3
 2 = 2,8 / Z=9,3
 3 = 2,8 / Z=5,0
 4 = 2,8 / Z=9,3

S2 - Solder lug:
 4 = 2,8 / Z=9,3
 5 = 2,8 / Z=9,3
 6 = 2,8 / Z=5,0
 7 = 2,8 / Z=9,3

A = Snap-in size:
 100 = 1,00 mm
 150 = 1,50 mm
 200 = 2,00 mm
 250 = 2,50 mm
 300 = 3,00 mm