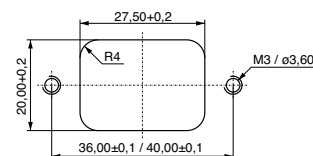


Power Inlet, Horizontal Flange for PCB-termination

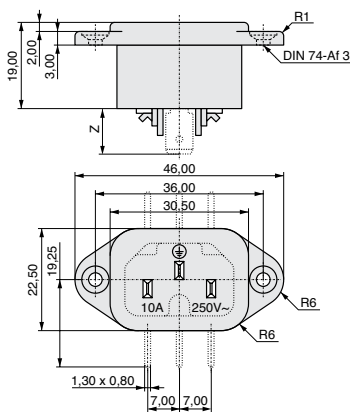
Series **620**



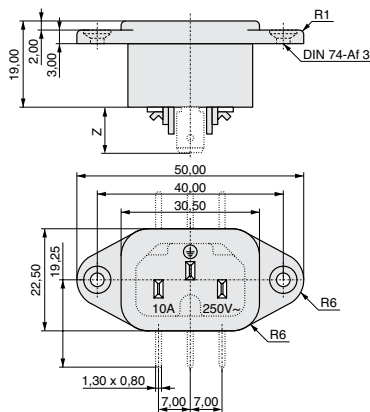
Rated current 10,0 A (15,0 A acc. UL)
 Rated voltage 250 VRMS
 Approvals



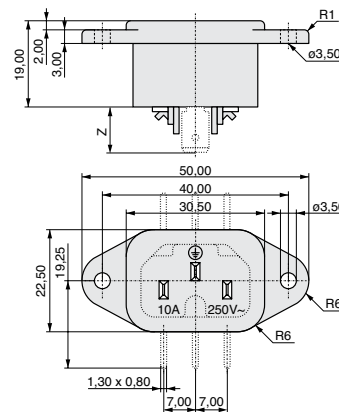
36 mm hole spacing for counter sunk screws



40 mm hole spacing for counter sunk screws



40 mm hole spacing for pan head screws



C D G
 4 2 R 0 9 1

C D G
 4 2 R 0 9 4

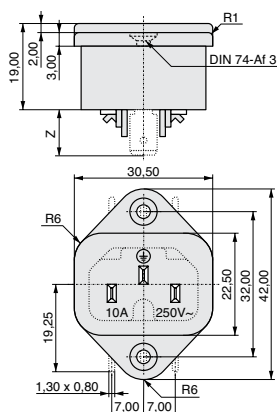
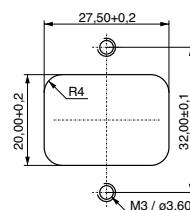
C D G
 4 2 R 0 9 8

Power Inlet, Vertical Flange for PCB-termination

Series **622**



Rated current 10,0 A (15,0 A acc. UL)
 Rated voltage 250 VRMS
 Approvals



PCB termination	wire term.	Z
to the bottom	qucik con.	10,0
to the bottom	solder	7,0
to the top	qucik con.	14,0
to the top	solder	7,0

C D G
 4 2 R 0 9 2

C - Colour:	D - PCB termination:	G - Configuration:	with additional earth contact	with additional earth contact	with additional earth contact
1 = Black	1 = to the bottom	without additional earth cont.	09 = C16 + 6,3	08 = C16 + 2,8	07 = C16 + 2,8
2 = Gray	2 = to the top	06 = C16	05 = C14 + 6,3	04 = C14 + 2,8	03 = C14 + 2,8
3 = White	3 = to the back	02 = C14	13 = C16A + 6,3	12 = C16A + 2,8	11 = C16A + 2,8
		10 = C16A			

MPE-Garry GmbH • Schäfflerstraße 13 • 87629 Füssen • Germany • Phone: +49 (0) 83 62 / 91 56-0 • Fax: +49 (0) 83 62 / 91 56-500 • Email: vk@mpe-connector.de • www.mpe-connector.de