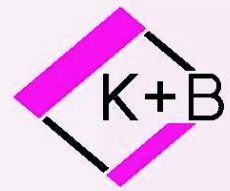


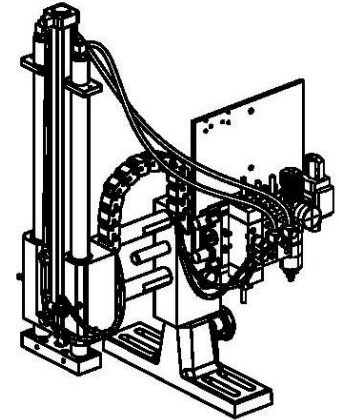
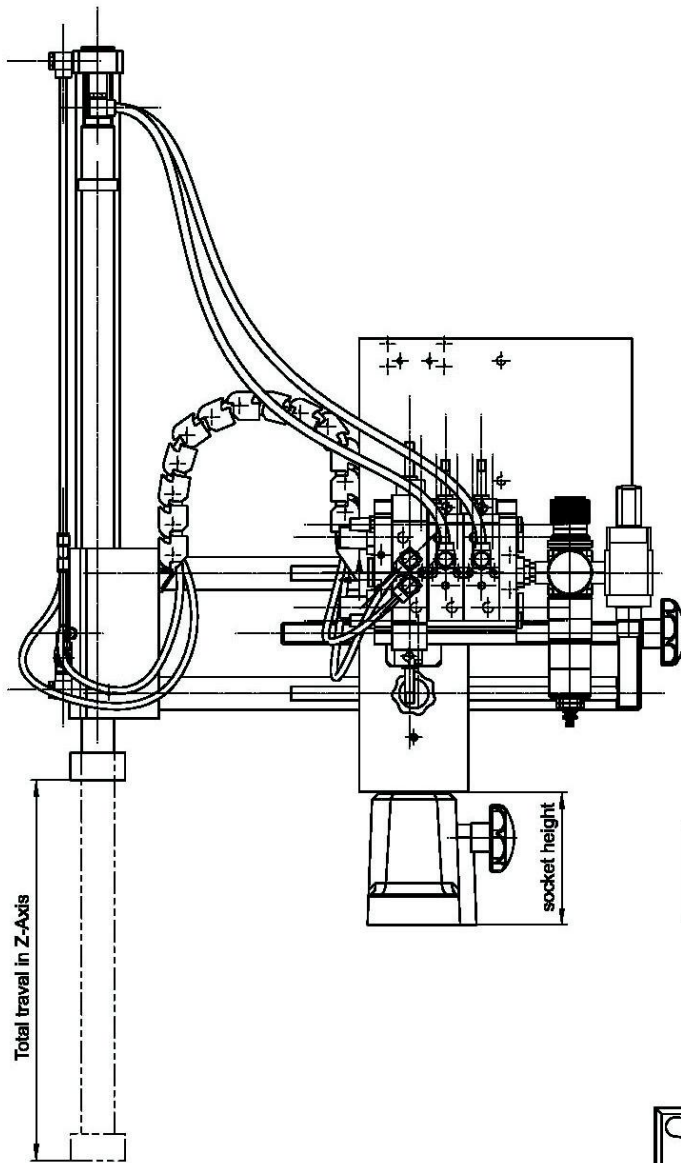
Brushmachines

Basic machines

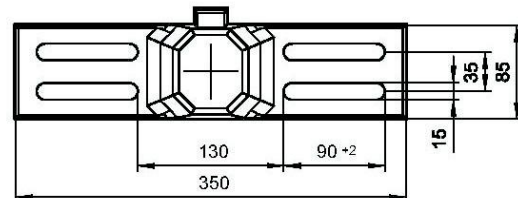
Basic machines



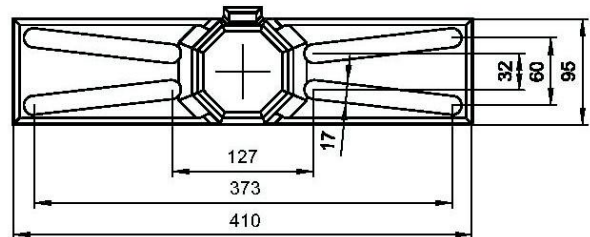
Basic machines



socket height 120mm:



socket height 180mm:



BM XXX - X - XXXX

BM: Brushmaschine

Socket: 120 = Socket height 120mm
180 = Socket height 180mm

Interface: A = without
B = interface for Arburg-machine
C = integrated SPS

Z-Axis: Total travel in [mm]